

Mlog id. April 22, 2018 : 00004

MLOG

Mathiesen's Lab Off Gemmology

Colored Diamond Report.

Description : **Natural Diamond**

Shape and Cutting Style: **Round Brilliant**

Measurements : **3,26 X 3,27 X 1,84 mm**

Carat Weight : **0,12 ct**

Color Grade : **Fancy Intens Pink**

Clarity : **I1 (P1)**

Cut Grade : **Good**

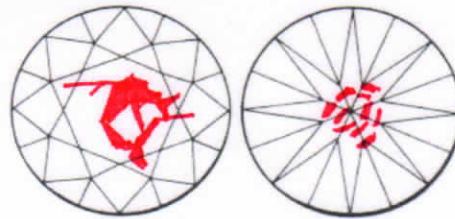
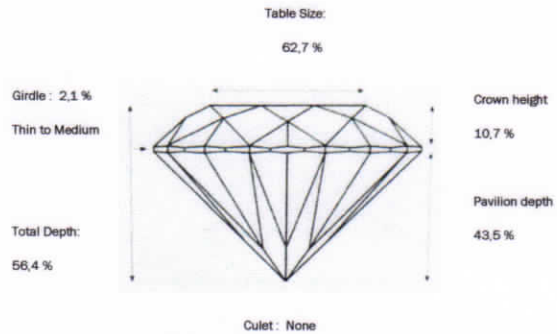
Polish : **Very Good**

Symmetry : **Excellent**

Fluorescence : **Strong**

Table/Debt : **62,7 % / 56,4 %**

Girdle/Culet : **Thin-medium/None**



Comments : *Natural colored ,*
IGI Report on the stone also

Henrik Mathiesen

Examin. Gemmolog og Diamantgradere
(SSOG)

